

Broaching Unit

The new state of the art broaching unit for economic manufacturing of oriented keyways and splines.

Faster return on investment.

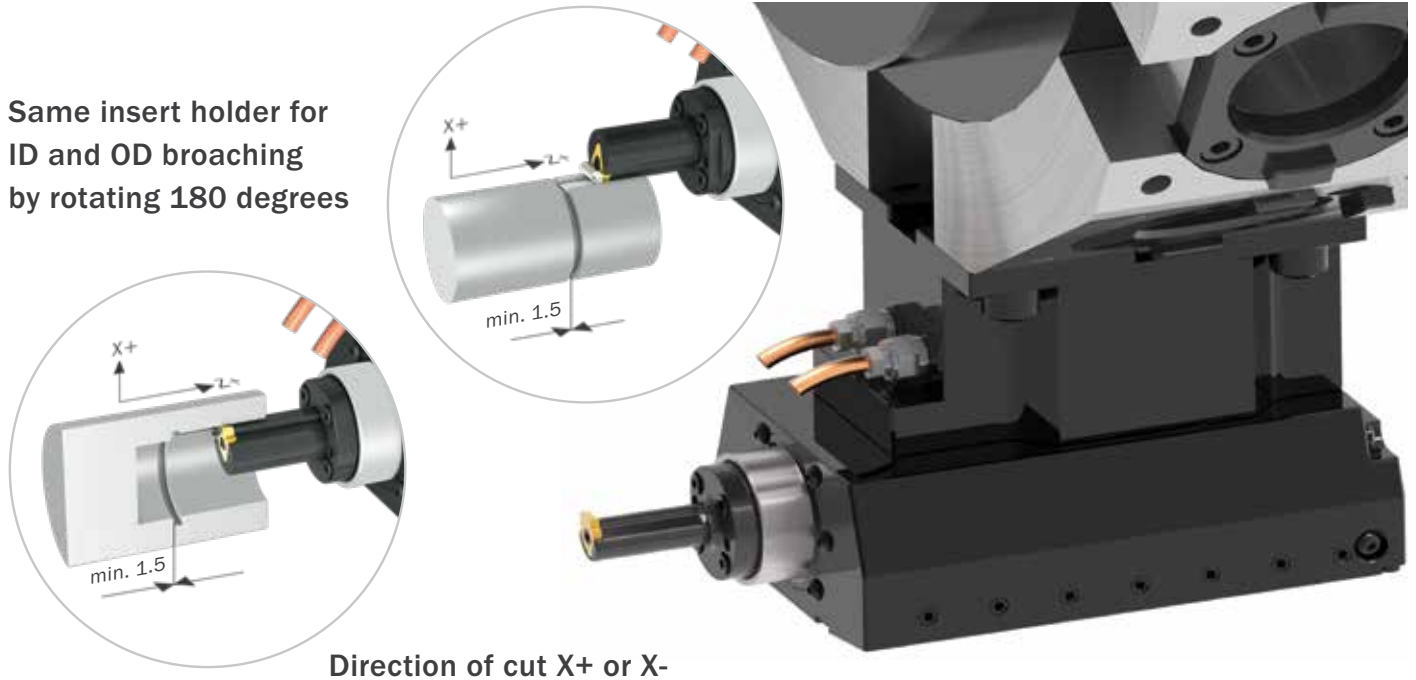


In operation:



Broaching Unit – for ID and OD

Same insert holder for ID and OD broaching by rotating 180 degrees



Direction of cut X+ or X-

Function

1
Position insert on Z



3
Cutter lifts from workpiece



2
Cutter drives into workpiece



4
Lift-off function prevents wear/breakage when cutter retracts



Sample workpieces

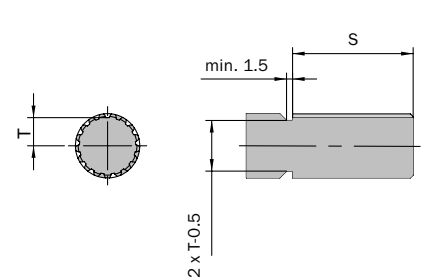
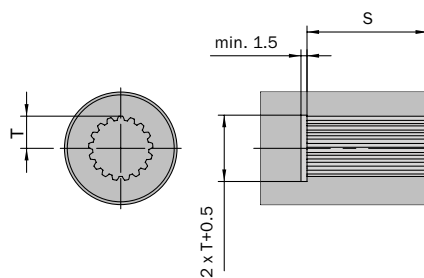
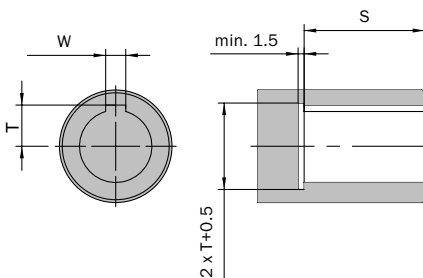
Keyway



Internal involute spline according to DIN 5482



External involute spline according to DIN 5480



Broaching Unit — OD mounted

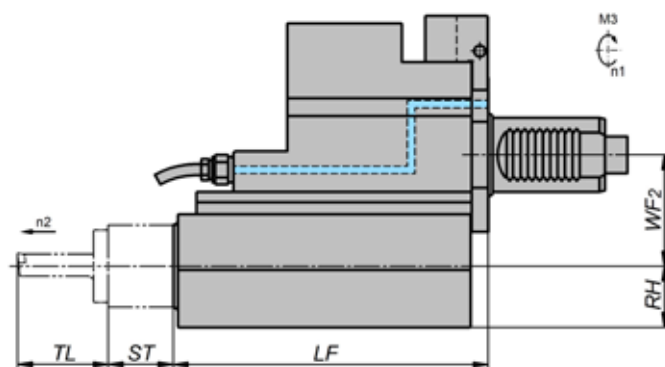
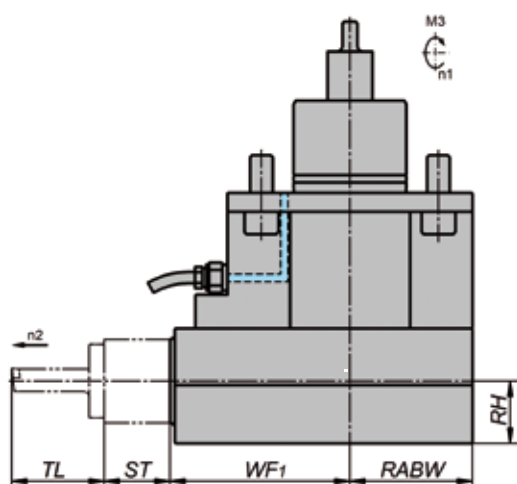


Type 26 / 32 / 52

Broaching Unit — Face mounted



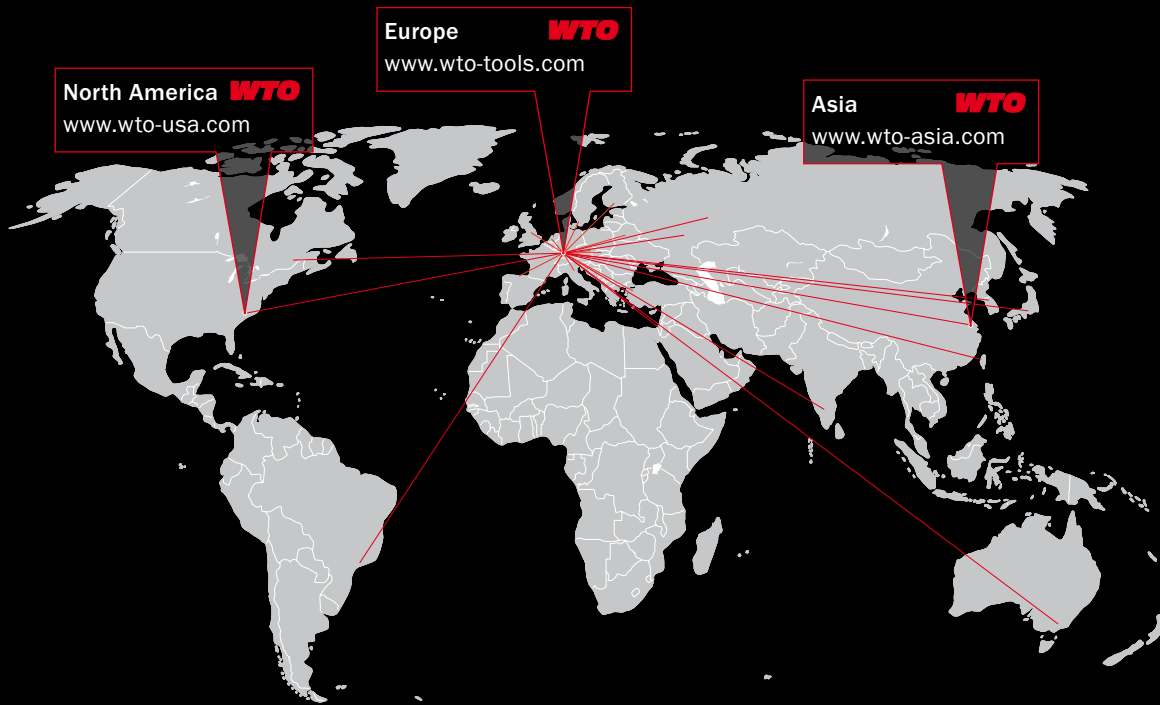
Type 32 / 52



Type	Working stroke (S)	Total stroke	Max. groove width (W)	Workpiece material [N/mm ²]	Max. strokes [1/min] (n2)	Ratio	Max. feed per stroke
26	26	28	6	1200	1500	2:1	0.15
32	32	35	12	1200	1000	1:1	0.15
52	52	55	12	1200	800	1:1	0.15

Type	TL	ST	LF	WF1	WF2	RABW	RH
26	38	28	-	59	-	61	30.5
32	49	35	170	95.5	60	65	33
52	67	55	180	105.5	65	74	33

Dimensions in mm



WTO Werkzeug-
Einrichtungen GmbH
Neuer Hohdammweg 1
77797 Ohlsbach
Germany

WTO Inc.
13900-F South Lakes Dr.
Charlotte, NC 28273
USA

WTO Asia
WTO Precision Tool Holders
(Shanghai) Co. Ltd.
Room 109-110, Building 2
No. 228 Banting Road
Jiuting Town,
Songjiang District
201615 Shanghai
China

Our distribution partners. Competence right there.

Australia
Dimac Tooling Ltd.
sales@dimac.com.au

France, east
Alexandre Mathelin
alm@wto.de

Japan
NK Works Co. Ltd.
k_samba@nk-works.co.jp

Slovakia
ALBA precision s.r.o.
albabprecision@albabprecision.sk

Brazil
TF2
tfdois@tfdois.com.br

France, west
Christophe Archambault
car@wto.de

Korea
WTO Office Korea
is.chon@wto-korea.com

Spain
ITALMATIC, S.A.
italmatic@italmatic.es

Canada
Mittmann Industrial Inc.
info@mittmann.com

Great Britain
Cutwel Ltd.
sales@cutwel.net

Mexico
Workholding Engineering De México
info@wem.com.mx

Sweden
Bonhron & Ewing AB
info@bonhron-ewing.se

China
Shanghai Gangde
wtocando@yahoo.com

Hungary
Prevotex Hungary Kft.
info@prevotex.hu

Netherlands
Toologic BeNeLux B.V.
info@toologic-benelux.nl

Switzerland
Utilis AG
info@utilis.com

Czech Republic
ALBA precision, spol. s.r.o.
info@albabprecision.cz

India
Ulhas Patil
u.patil@wto-asia.com

Norway
Helge Karlsen Verktøy og Maskin AS
hkvm@hkvm.no

Taiwan
Kaiko Co., Ltd.
info@kaiko.com.tw

Denmark
AVN Teknik A/S
cjo@avn.dk

Israel
E.Y.A.R. Ltd.
boris@eyar.co.il

Poland
ARCO Andrzej Rudenko
info@arcotools.pl

Turkey
MYK CNC MAKINA SAN. VE
huseyin.tatlidil@mykcnc.com.tr

Finland
Suomen Terätuonti Oy
myynti@stt.as

Italy
Prymark srl
commerciale@prymark.it

Romania
SC Elif Trading SRL
bulent.ozkan@eliftrading.com

Ukraine
„LLC“ SPA Stankopromimport
info@phoenix-ua.com