

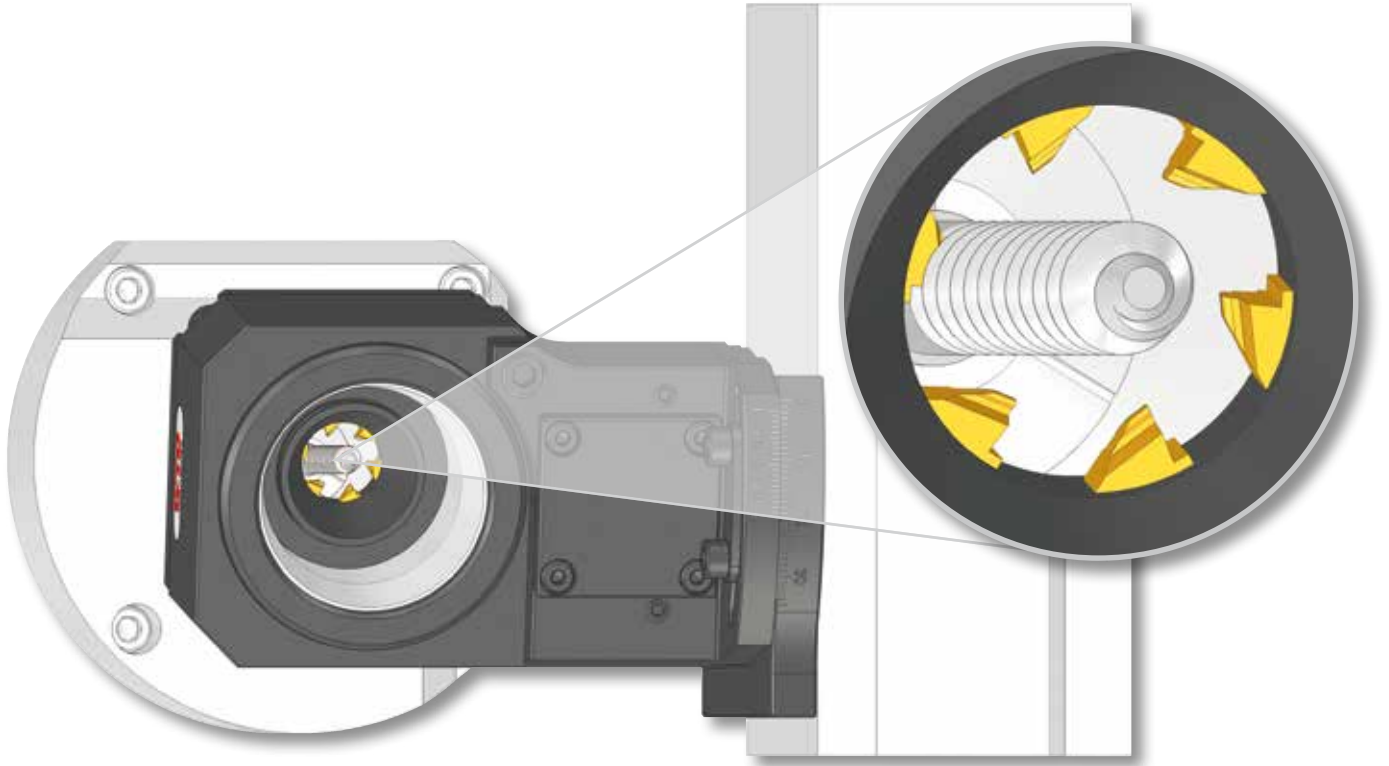
Thread Whirling Unit

High Productive Thread Whirling with patented quick change system for significant reduction of tool set-up time.

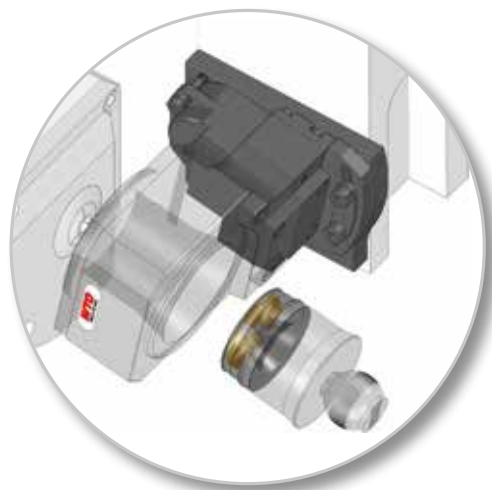
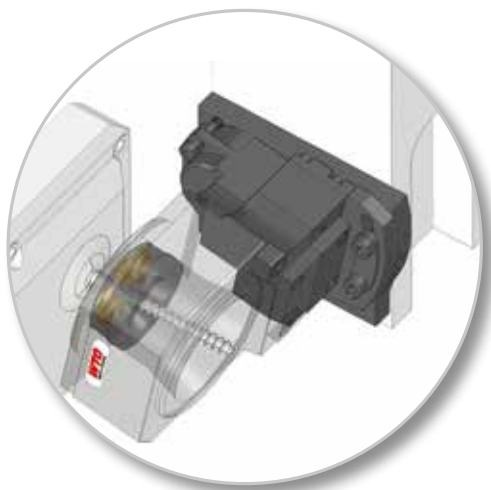
Suitable insert holders available from leading cutting tool manufacturers.



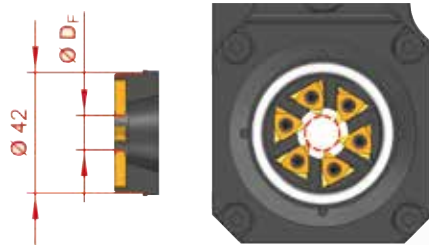
High Productive Thread Whirling



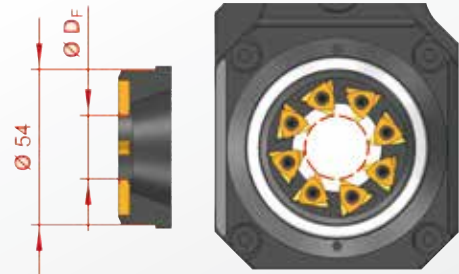
- | Patented quick change system for significant reduction of tool change time
- | The insert holder can quickly be changed from the backside
- | The thread whirling unit can remain installed and aligned in the machine tool
- | Low runout tolerance and high repeatability of the cutting inserts (± 0.005 mm)



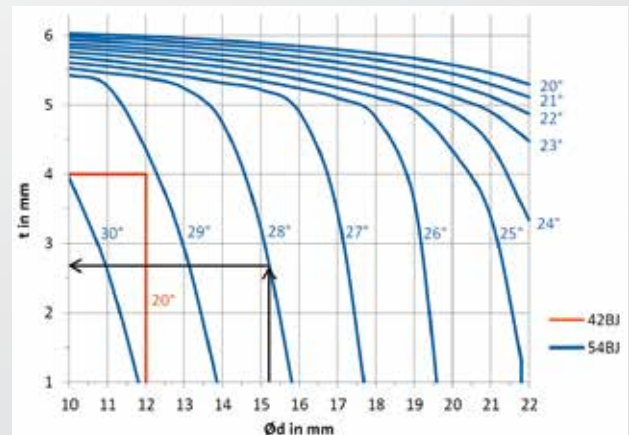
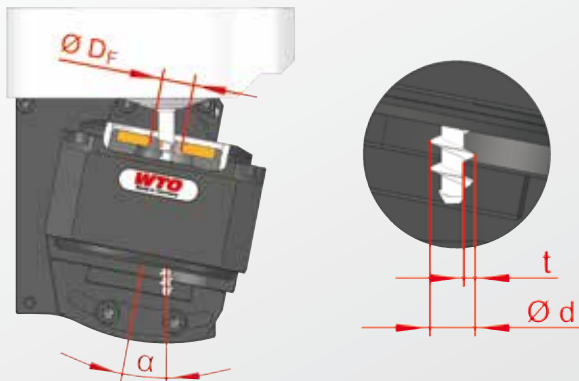
Thread whirling unit type 42BJ



Thread whirling unit type 54BJ



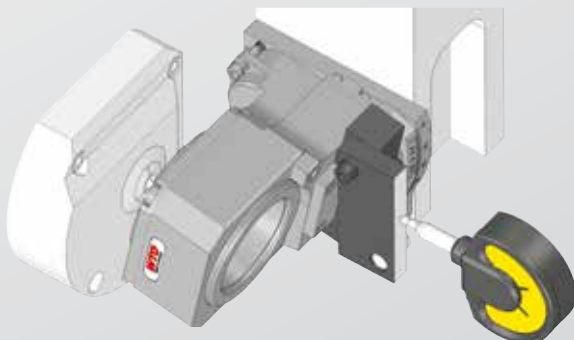
Type 42BJ		Type 54BJ
12 mm	Max. working diameter D_F	22 mm
0 – 20°	Adjustable range α	0 – 30°
4 mm	Max. profile depth t	6 mm
1 : 1	Ratio i ($n_1:n_2$)	1.36 : 1
8,000 1/min	Max. RPM (n_2)	6,000 1/min



Example type 54BJ: $\varnothing d = 15.2$ mm; $\alpha = 28^\circ \rightarrow t \leq 2.7$ mm

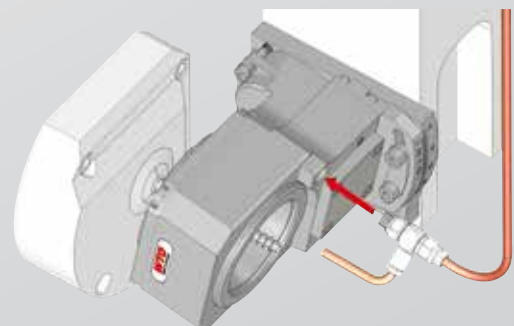
Optional accessories

Sine bar for high accurate angular adjustment

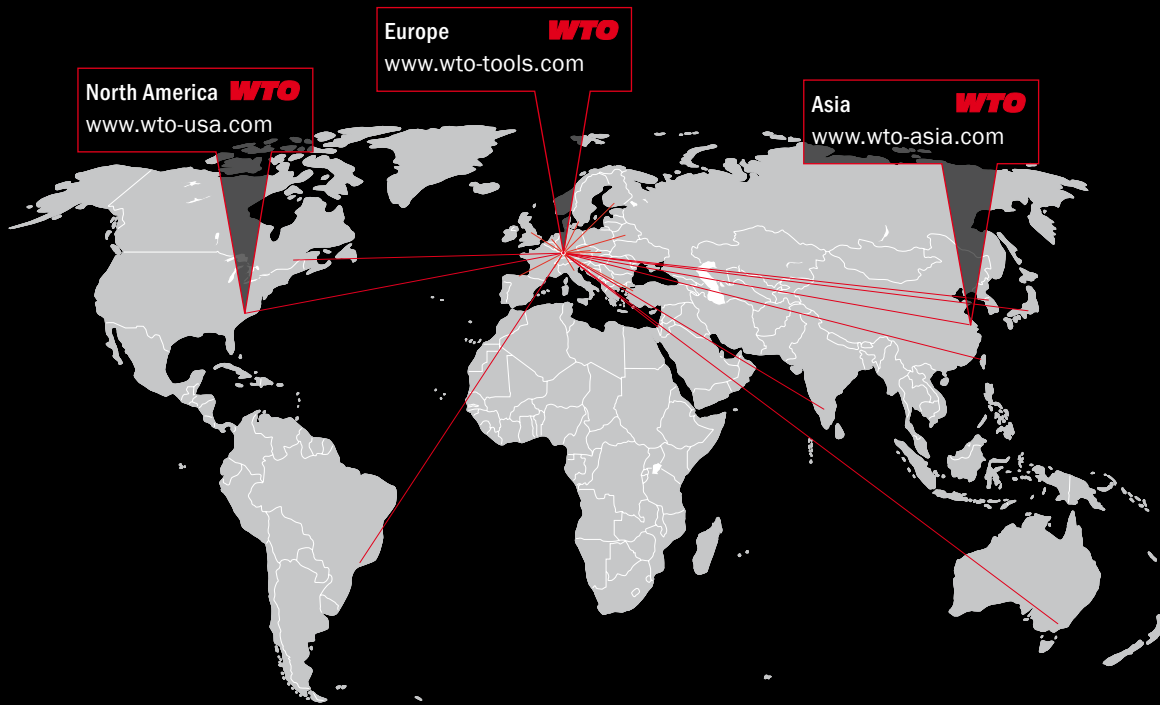


Item No. 96394

External coolant supply



Item No. 91749



WTO Werkzeug-
Einrichtungen GmbH
Neuer Hohdammweg 1
77797 Ohlsbach
Germany

WTO Inc.
9210 Porters View Dr.
Charlotte, NC 28273
USA

WTO Asia
WTO Precision Tool Holders
(Shanghai) Co. Ltd.
Room 109-110, Building 2
No. 228 Banting Road
Jiuting Town,
Songjiang District
201615 Shanghai
China

Our distribution partners. Competence right there.

Australia
Dimac Tooling Ltd.
sales@dimac.com.au

Brazil
TF2
tfdois@tfdois.com.br

Canada
Mittmann Industrial Inc.
info@mittmann.com

China
Shanghai Gangde
wtocando@yahoo.com

Czech Republic
ALBA precision, spol. s.r.o.
info@albaprecision.cz

Denmark
AVN Teknik A/S
cjo@avn.dk

Finland
Suomen Terätuonti Oy
myynti@stt.as

France, east
Christophe Archambault
alm@wto.de

France, west
Christophe Archambault
car@wto.de

Great Britain
Cutwel Ltd.
sales@cutwel.net

Hungary
Prevotex Hungary Kft.
info@prevotex.hu

India
Ulhas Patil
u.patil@wto-asia.com

Israel
E.Y.A.R. Ltd.
boris@eyar.co.il

Italy
Prymark srl
commerciale@prymark.it

Japan
NK Works Co. Ltd.
k_samba@nk-works.co.jp

Korea
WTO Office Korea
is.chon@wto-korea.com

Mexico
Workholding Engineering De México
info@wem.com.mx

Netherlands
Toologic BeNeLux B.V.
info@toologic-benelux.nl

Norway
Helge Karlsen Verktøy og Maskin AS
hkvm@hkvm.no

Poland
ARCO Andrzej Rudenko
info@arcotools.pl

Romania
SC Elif Trading SRL
bulent.ozkan@eliftrading.com

Slovakia
ALBA precision s.r.o.
albaprecision@albaprecision.sk

Spain
ITALMATIC, S.A.
italmatic@italmatic.es

Sweden
Bonhron & Ewing AB
info@bonhron-ewing.se

Switzerland
Utilis AG
info@utilis.com

Taiwan
Kaiko Co., Ltd.
info@kaiko.com.tw

Turkey
MYK CNC MAKINA SAN. VE
huseyin.tatlidil@mykcnc.com.tr

Ukraine
„LLC“ SPA Stankopromimport
info@phoenix-ua.com